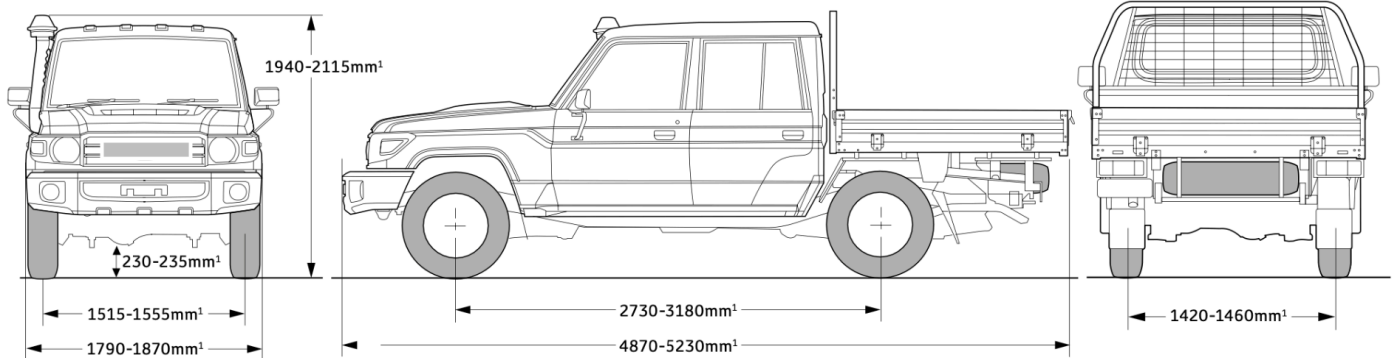


## Landcruiser '79 series chassis



MECHANICAL SPECIFICATIONS		LANDCRUISER '79
<b>Engine</b>	Engine	4.5L turbo diesel engine
	Name	1VD-FTV
	Displacement (cm <sup>3</sup> )	4461
	Max power (kW/rpm)	151/3400
	Max torque (Nm/rpm)	430/1200-3200
	Valve train	32-valve DOHC
	Fuel system	Common-rail type
	Bore x stroke (mm)	86.0 x 96.0
	Compression ratio	16.8:1
<b>Transmission</b>	Transmission	5-speed manual
	Gear ratios	1st 4.529; 2nd 2.294; 3rd 1.490; 4th 1.000; 5th 0.75; Reverse 4.313
	Transfer Gear Ratio (H4/L4)	1.000/2.488
	Driveline	4WD
<b>Fuel</b>	Fuel type	Diesel
	Fuel economy <sup>2</sup> (L/100km)	10.7
	Fuel capacity (litres)	Troop Carrier 180, all other models 130
<b>Steering</b>	Steering system	Hydraulic
	Steering operation	Power steering
	Turning circle (kerb to kerb) (m)	Single and Double-Cab Cab-Chassis: 14.4; Troop Carrier: 13.6; Wagon: 12.6
<b>Brakes</b>	Brake control system	Front and rear ventilated discs
<b>Suspension</b>	Front	Rigid live axle, leading arm, coil springs, dampers and anti-roll bar
	Rear	Rigid live axle, semi-elliptic leaf springs, dampers

SPECIFICATIONS		Single-Cab Cab-Chassis	Double-Cab Cab-Chassis
		GXL	GXL
<b>Dimensions and Weights (Approximate)</b>	Overall length <sup>1</sup> (mm)	5230	5220
	Overall width <sup>1</sup> (mm)	1870	1870
	Overall height <sup>1</sup> (mm)	1955	1945
	Wheelbase (mm)	3180	3180
	Front track (mm)	1555	1555
	Rear track (mm)	1460	1460
	Running clearance (mm)	235	235
	Kerb weight <sup>1</sup> (kg)	2175	2175
	Gross Vehicle Mass <sup>1</sup> (GVM) (kg)	3400	3300
	Gross Combined Mass <sup>1</sup> (GCM) (kg)	6900	6800
<b>Seating</b>	Capacity	2	5
<b>Towing Capacity<sup>3</sup></b>	With trailer brakes	3500	3500
	Without trailer brakes	750	750
<b>Wheels</b>	16" steel wheels		
	16" alloy wheels	•	•
<b>Exterior</b>	Moulded black front bumper		
	Chrome and painted front bumper	•	•
	Moulded black front and rear bumpers		
	Chrome and painted front and rear bumpers		
	Front mudflaps	•	•
	Front and rear mudflaps		
	Steel side steps		
	Aluminium side steps	•	•
	Halogen headlamps	•	•
	Front fog lamps		•
	Air-intake snorkel	•	•
	Over-fender flares	•	•
	Chrome radiator grille	•	•
	Chrome roof drip rails	•	•
	Power antenna	•	•
Barn type 60/40 rear tailgate doors			

<b>Interior</b>	Bucket front seats (2 seats)	•	•
	Front bucket seats and second row bench seat		•
	Textured vinyl seat trim		
	Cloth seat and door trim	•	•
	Floor carpet	•	•
	Air Conditioning	•	•
<b>Safety</b>	Anti-lock Braking System (ABS)	•	•
	Side door impact protection beams	•	•
	Energy-absorbing steering column	•	•
	Door ajar warning lamp	•	•
	Driver seat belt warning lamp	•	•
	Driver and front passenger airbags	•	•
	Curtain shield and driver's knee airbags	•	
	Brake Assist	•	•
	Vehicle Stability Control (VSC), Hill-start Assist Control (HAC), Electronic Brake-force Distribution and Active Traction Control (A-TRAC)	•	•
<b>Storage</b>	Glovebox	•	•
	Bottle holder	•	•
	Driver and front passenger map pockets	•	•
	Centre console storage	•	•
<b>Sound System</b>	AM/FM radio with MP3 compatible single-disc CD player	•	•
	3.5" AUX input for portable audio players <sup>4</sup>	•	•
	Bluetooth <sup>®5</sup> connectivity	•	•
	2 speakers	•	•
	4 speakers		
	Front guard mounted antenna	•	•
	Security coded audio	•	•