

**ENGINE**

EEV – IVECO FIC 3.0I – 4 stroke diesel with direct-injection, dual-stage twin turbochargers and intercooler. Water-cooled with electromagnetic fan. Cast-iron engine block with aluminium cylinder head. New generation unijet common rail injection system. Exhaust gas recirculation system – EGR. Exhaust system with diesel particulate filter (CRT – Continuously Regenerating Trap) and muffler longitudinally positioned on the right side and stub-pipe located mid-way down right side of vehicle.

**Basic data**

Number of cylinders:	4 (16 valves) vertical in line
Bore x stroke:	95.8 mm x 104 mm
Total displacement:	2998 cm <sup>3</sup>
Engine:	3.0 HPT*
Power (hp/Kw):	170/125
At rpm:	3000-3500
Torque (Nm/lbft):	400/295
At rpm:	1250-3000

\*HPT: High Performance Turbine with VGT – Variable Geometry Turbo.

**FRAME**

Box type steel longitudinal side members with square ends and tubular cross members

Wheelbase (mm):	3400
Side member height (mm):	144
Side member width (mm):	60
Side member thickness (mm):	5

**TRANSMISSION**

Six speed synchromesh overdrive manual transmission

Type: 6S400 OD

1st	5.373	5th	1.000
2nd	3.154	6th	0.791
3rd	2.041	Rev. 1st	4.838
4th	1.365		

**CLUTCH**

Single dry plate. Hydraulically controlled

External diameter: 280 mm (11")

**AXLES**

Front: IVECO HS6.07 independent, 2450 kg capacity – Driver Controlled Differential Lock

Rear: IVECO HS8.09 full-floating single reduction, 3700 kg capacity – Driver Controlled Differential Lock

Front and Rear axle ratio: 4.87:1

**TRANSFER BOX**

IVECO 32019

Permanent all wheel drive Torque Distribution

Front 32%

Rear 68%

Driver Controlled Differential Lock On Road Ratio

Normal 1:1

Low 1:1.244

Off Road Ratio

Normal 1:3.115

Low 1:3.866

**SUSPENSION**

Front: Parabolic 3 leaf springs with hydraulic telescopic shock absorbers and reinforced 24mm stabiliser bar

Rear: Parabolic 4 leaf springs, rubber rebound bump stops, hydraulic telescopic shock absorbers and reinforced 28mm stabiliser bar

**LIGHTING & SIGNALLING SYSTEM**

Halogen headlamps; twin front and rear fog lamps and twin reverse lamps, engine fan deactivation for water crossing

**WHEELS / TYRES**

Standard Wheels: Steel 6" x 17.5" Option Wheels: 6.5" x 16"

Tyres: 9.5R17.5

Tyres: 255/100R16 - 100km/h speed limited

**ELECTRICAL SYSTEM**

Battery: 12V - 110 Ah Alternator: 12V - 140 A

**BRAKING SYSTEM**

ABS 8 with EBD – Electronic Brake force (ABS disengages when Differential Lock is engaged)

Front / Diameter: Ventilated disc brakes / 297 mm

Rear / Diameter: Drum brakes / 270 mm

Parking brake: Manual brake operating on rear axle

Service brakes: Dual circuit with vacuum servo

**STEERING**

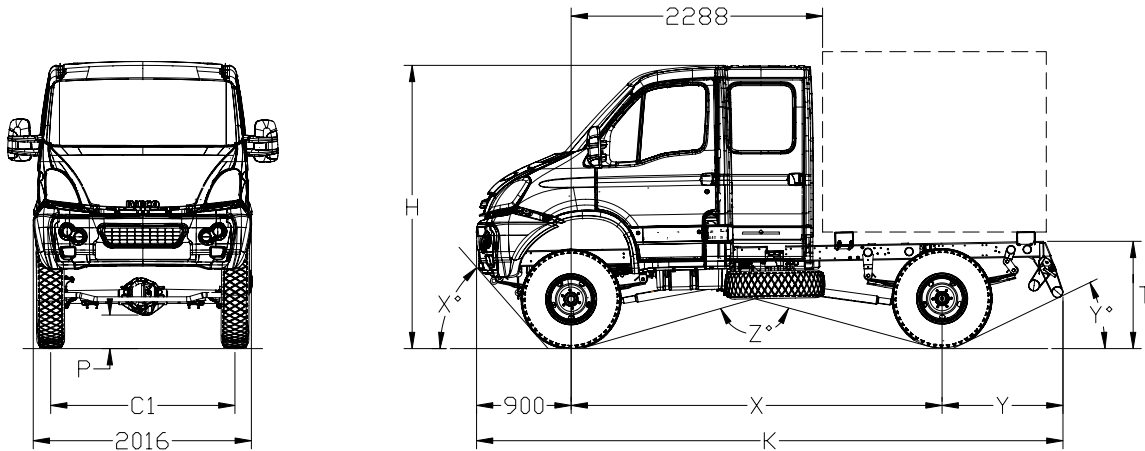
Power steering. Steering wheel diameter 420 mm. Three piece steering column, with connecting universal joints

**OTHER EQUIPMENT**

- Spare wheel carrier located on chassis passenger side
- 90 litres on nearside with locking fuel cap
- Front tow hook

**CABIN**

- Seat belt pretensioners
- Heated, suspended and fully adjustable driver's seat with headrest
- Three point inertia reel belt on all seats
- Dual bench passenger seats with headrests
- Cruise control
- Electric windows
- Exterior mirror with integrated wide angle and direction indicators, heated and electronically adjustable
- Overhead console with storage shelf and standard space for additional equipment
- Large dual storage pockets in doors
- Underseat storage
- Document storage compartment
- Insulated compartment located on the dashboard
- Body builders connectors
- Single piece floor mat
- 2 cup holders plus 2 bottle holders
- Glove compartment with added storage
- Additional in-dash storage
- Clip holder
- Kerb Side Observation Mirror
- Rear 4 person bench seat



### DASHBOARD

- Soft-feeling anti-reflective material
- Analogue electronic speedometer
- Electronic tachometer
- Fuel level indicator with reserve light indicator
- Coolant temperature indicator with high temperature indicator light
- Instrument light dimmer switch
- Dash-mounted gear lever with floor mounted transfer case levers
- 3 DIN drawers, one of which carries CD Player
- LCD Display Panel includes: odometer; trip computer with distance, time, fuel consumption etc; headlamp orientation (dip/main); clock, speed limits exceeding, external temperature, service indicator
- Stereo radio/CD player (with CAN security)

### SECURITY

- Central locking with remote control and door locking management
- Steering lock
- Engine immobilizer actuated by transponder on ignition key

### CONSTRUCTION & FINISH

Box type steel longitudinal side members and tubular cross members with pressed steel unitary construction body mounted on rubber bushes. Anti-corrosion protection includes full cathodic dipping with galvanized boxed sections and strategic use of zinc plated panels in vulnerable areas. Protective under seal for all under body cabin area, wheel housings and engine area. Three piece steel front bumper.

### CLIMATE CONTROL

Four speed electric fan with five different air distribution modes and cab recirculation. Windshield side window defroster and defogger through side and front fixed position air vents. Temperature-controlled air conditioned cab.

### OPTIONS

- Vertical exhaust
- Suspended and heated driver and passenger seats

### DIMENSIONS (mm)

X	Wheelbase	3400
K	Overall length	5432
H	Overall height (unladen)	2629
CI	Front track	1670
	Rear track	1670
	Unladen frame height at front axle	861
T	Unladen frame height at rear axle	1065
	Front ground clearance	255
	Rear ground clearance	255
Y	Rear overhang	1132
	Turning circle: kerb to kerb	13406
	Turning circle: wall to wall	14434
X°	Approach Angle	50°
Y°	Departure Angle	30°
Z°	Ramp Angle	31°

### BODY DIMENSIONS (mm)

W	Maximum body length <sup>#</sup>	2700 <sup>#</sup>
	Maximum body width	2350

### MASS (kg)

GVM	4495 (opt. 5200)
Towing capacity with braked trailer*	3500*
Front axle capacity	2450
Rear axle capacity	3700
Kerb mass front axle	1840
Kerb mass rear axle	925
Kerb mass total	2745
Body and payload capacity	1750 (opt. 2455)

\* Subject to individual state regulations and requirements.

# Determined by legislative constraints and/or technical criteria for optional ride & handling. Kerb masses are with full fuel tank, oil, water, spare wheel, tools and include driver at 75 Kg. Maximum body width subject to mirror and lighting requirements. All above measurements are referred to models with the standard 9.5" x 17.5" on road tyres.

**IVECO Trucks Australia Limited** A.B.N. 86 004 065 061

Princes Hwy, Dandenong, Victoria 3175

P.O. Box 117 Dandenong, Victoria 3175

Telephone: (03) 9238 2200 Facsimile: (03) 9238 2387

[www.iveco.com.au](http://www.iveco.com.au)