

# EARTHCRUISER EXPEDITION VEHICLES SPECIFICATIONS

STRUCTURE (OUTSIDE)	IVECO SINGLE CAB 320	IVECO SINGLE CAB 360	IVECO SINGLE CAB 440	IVECO DUAL CAB 320	IVECO DUAL CAB 360	FUSO/ISUZU SINGLE CAB 320	FUSO/ISUZU SINGLE CAB 360	FUSO/ISUZU SINGLE CAB 440	FUSO/ISUZU DUAL CAB 320	FUSO/ISUZU DUAL CAB 360
Dome moulded structural foam insulated roof dove tailing to walls when closed with double seal.	•	•	•	•	•	•/•	•/•	•/•	•/•	•/•
Moulded structural foam insulated walls 40mm thick and insulated floor 50mm thick	•	•	•	•	•	•/•	•/•	•/•	•/•	•/•
Moulded structurally insulated and sealed entry door with dead lock, all locks and latches flush or recessed	•	•	•	•	•	•/•	•/•	•/•	•/•	•/•
Moulded structurally insulated and sealed 2 x locker boxes, fitted with two compression locks, gas hinges and LED lights	•	•	•	•	•	•/•	•/•	•/•	•/•	•/•
Three layers laminated soft wall, all windows with insect and privacy screens. Rated - 30 + 70 deg. c. (*second insulated curtain is available for sub zero climates)	•	•	•	•	•	•/•	•/•	•/•	•/•	•/•
Four casement type windows with privacy screens and insect screens	•	•	•	•	•	•/•	•/•	•/•	•/•	•/•
1 x Spare wheel with drop down carrier includes electric wheel lifter winch, w/cover and rubbish bag.	•	•	•	•	•	•/•	•/•	•/•	•/•	•/•
Body side skirts with tool boxes	•	•	•	•	•	•/•	•/•	•/•	•/•	•/•
External hot and cold water shower 1.8 metre hose 6.7 litres per minute. Behind recessed locked door with night light.	•	•	•	•	•	•/•	•/•	•/•	•/•	•/•
3500KG capacity tow bar incorporating spare wheel carrier/bumper with recessed tail lamps	•	•	•	•	•	•/•	•/•	•/•	•/•	•/•
Outside colour – white only available	•	•	•	•	•	•/•	•/•	•/•	•/•	•/•
UNDERCARRIAGE	IVECO SINGLE CAB 320	IVECO SINGLE CAB 360	IVECO SINGLE CAB 440	IVECO DUAL CAB 320	IVECO DUAL CAB 360	FUSO/ISUZU SINGLE CAB 320	FUSO/ISUZU SINGLE CAB 360	FUSO/ISUZU SINGLE CAB 440	FUSO/ISUZU DUAL CAB 320	FUSO/ISUZU DUAL CAB 360
Super single wheel and tyres front and rear (x 5)	•	•	•	•	•	•/•	•/•	•/•	•/•	•/•
Iveco parabolic suspension system	•	•	•	•	•					
EarthCruiser suspension long travel multi pack leaf springs front and rear, grease able						•/•	•/•	•/•	•/•	•/•
Iveco hydraulic telescopic shock absorbers and reinforced stabiliser bars	•	•	•	•	•					
Long travel heavy duty shock absorbers front and rear axle						•/•	•/•	•/•	•/•	•/•
Gear box and differential breathers fitted (H-1480mm)	•	•	•	•	•	•/•	•/•	•/•	•/•	•/•
Drinking water and diesel tank – breathers fitted above fording depth	•	•	•	•	•	•/•	•/•	•/•	•/•	•/•
Engine air filtration (FUSO) element relocated inside vehicle.						•/TBC	•/TBC	•/TBC	•/TBC	•/TBC
Revised brake lines	•	•	•	•	•	•/•	•/•	•/•	•/•	•/•
Revised load proportioning valve	•	•	•	•	•	•/•	•/•	•/•	•/•	•/•
Revised exhaust system and mounting	•	•	•	•	•	•/•	•/•	•/•	•/•	•/•
Camper chassis mounted to the vehicle chassis with EarthCruiser kinetic mount system.	•	•	•	•	•	•/•	•/•	•/•	•/•	•/•
Standard tank relocated for off road safety and vehicle balance.	•	•	•	•	•	•/•	•/•	•/•	•/•	•/•
Standard vehicle tank 90 litre	•	•	•	•	•	•/•	•/•	•/•	•/•	•/•
Standard 40 litre grey water tank	•	•	•	•	•	•/•	•/•	•/•	•/•	•/•
ELECTRICAL COMPONENTS	IVECO SINGLE CAB 320	IVECO SINGLE CAB 360	IVECO SINGLE CAB 440	IVECO DUAL CAB 320	IVECO DUAL CAB 360	FUSO/ISUZU SINGLE CAB 320	FUSO/ISUZU SINGLE CAB 360	FUSO/ISUZU SINGLE CAB 440	FUSO/ISUZU DUAL CAB 320	FUSO/ISUZU DUAL CAB 360
2 x 125 watt direct stick solar mats - shatter proof and recessed into roof.	•	•	•	•	•	•/•	•/•	•/•	•/•	•/•
Electric awning recessed into roof.	•	•	•	•	•	•/•	•/•	•/•	•/•	•/•
100 watt flood lamps situation on the left, right and rear of the camper (LED)	•	•	•	•	•	•/•	•/•	•/•	•/•	•/•
4 x Electric roof lifter 480 Nm each (w/manual over ride)	•	•	•	•	•	•/•	•/•	•/•	•/•	•/•
House batteries fitted behind locker door	•	•	•	•	•	•/•	•/•	•/•	•/•	•/•
2 x 120 Amp hour 12 volt AGM house batteries	•	•	•	•	•	•/•	•/•	•/•	•/•	•/•
1 x 120 Amp vehicle start battery	•	•	•	•	•	•/•	•/•	•/•	•/•	•/•
1800 watt true Sin Wave inverter (110 or 240 volt)	•	•	•	•	•	•/•	•/•	•/•	•/•	•/•
DVSR – ability to isolates start or house batteries and emergency parallel both battery banks, with alarm.	•	•	•	•	•	•/•	•/•	•/•	•/•	•/•
Powerstar solar regulator	•	•	•	•	•	•/•	•/•	•/•	•/•	•/•
Solar monitor with history - Battery monitor with history	•	•	•	•	•	•/•	•/•	•/•	•/•	•/•
Outlets with earth leakage	•	•	•	•	•	•/•	•/•	•/•	•/•	•/•
12 volt 10 amp accessories sockets camper and cabin	•	•	•	•	•	•/•	•/•	•/•	•/•	•/•
LED lights fitted throughout the camper including bed/reading lights	•	•	•	•	•	•/•	•/•	•/•	•/•	•/•
Courtesy lights (floor mounted)	•	•	•	•	•	•/•	•/•	•/•	•/•	•/•
Emergency lights switch - activates both 100 watt flood lamps	•	•	•	•	•	•/•	•/•	•/•	•/•	•/•
Water tank level monitor/water level monitors	•	•	•	•	•	•/•	•/•	•/•	•/•	•/•
Electric entry steps – cabin and camper switch with drive off alarm	•	•	•	•	•	•/•	•/•	•/•	•/•	•/•
Accessory plug (10amp) both locker boxes	•	•	•	•	•	•/•	•/•	•/•	•/•	•/•
Touch screens situated in both the cab and camper controlling all switching and monitoring in the vehicle and doubles as a reverse camera monitor	•	•	•	•	•	•/•	•/•	•/•	•/•	•/•
Hot water by-pass	•	•	•	•	•	•/•	•/•	•/•	•/•	•/•
STRUCTURE (INSIDE)	IVECO SINGLE CAB 320	IVECO SINGLE CAB 360	IVECO SINGLE CAB 440	IVECO DUAL CAB 320	IVECO DUAL CAB 360	FUSO/ISUZU SINGLE CAB 320	FUSO/ISUZU SINGLE CAB 360	FUSO/ISUZU SINGLE CAB 440	FUSO/ISUZU DUAL CAB 320	FUSO/ISUZU DUAL CAB 360
Crawl through from cab to camper						•/•	•/•	•/•	•/•	•/•
Walk through from cab to camper	•	•	•	•	•					
Override Manual Solid state Command panel	•	•	•	•	•	•/•	•/•	•/•	•/•	•/•
Suspension driver and passenger seats (leather trim)	•	•	•	•	•	•/•	•/•	•/•	•/•	•/•
All storage draws have softclose with travel locks fitted	•	•	•	•	•	•/•	•/•	•/•	•/•	•/•
All cabinetry moulded - White only	•	•	•	•	•	•/•	•/•	•/•	•/•	•/•
Moulded dinette chairs trimmed in leather with storage	•	•	•	•	•	•/•	•/•	•/•	•/•	•/•
Swing away dinette table that makes second bed.	•	•	•	•	•	•/•	•/•	•/•	•/•	•/•
Permanent double bed with memory foam mattress (120mm)	•	•	•	•	•	•/•	•/•	•/•	•/•	•/•
Marine quality hardware fittings and soft furnishings throughout	•	•	•	•	•	•/•	•/•	•/•	•/•	•/•
122 Litre upright compressor fridge, 17 Litre freezer, stainless steel, consumes 38amps/24 hrs. Will work out of level.	•	•	•	•	•	•/•	•/•	•/•	•/•	•/•







**INTERNAL SPECIFICATIONS**

**Earthcruiser Camper Dimensions:**  
 320 (3.2m camper) - W2080 x L3200mm  
 360 (3.6m camper) - W2080 x L3600mm  
 440 (4.4m camper) - W2080 x L4400mm

**Iveco:**  
 Cab Height with scrub bar – 2650mm  
 Cab Height without a scrub bar – 2500mm

**Fuso/Isuzu:**  
 Cab Height with scrub bar – 2580mm  
 Cab Height without a scrub bar – 2450mm

**Toilet & Shower Cubicle:** 1405L x 805W x 665Dmm

**Benchtop (320):** 1045L x 590D x 900Hmm (various sizes available depending on interior setup)

**Drawers Sizes:** 340W x 550D x (various heights available depending on interior setup, 190H or 75H available)

**Double bed size:** 320, 360 & 440 camper - 1400 x 1950 x 125mm

**Skybed:** 1700L x 650W and will hold a weight of approx. 65 - 70kgs, it is attached to the front wall of the Earthcruiser via a sailtrack. The skybed base is made from very tough and durable trampoline type fabric that houses a high grade, light-weight aluminium tube with spring loaded pins so the pole is easily removed from the slots in the side walls. The mat can then be either rolled-up to the front wall out of the way or you can slide it out of the sail track and remove it entirely. This SKYBED platform is also ideal to be utilized as another storage area in the vehicle, being out of the way and easily accessed, and it doesn't obstruct your walkthrough passageway.

**Underbed/Gunlocker storage:** - 1750L x 150D x 580Wmm

**Locker:** opening into locker height (as it has a rim around it) 560W x 1100L, inside storage height 635mm (underbed storage drops into the locker by 1700L x 150D x 580W nearest to the front wall)

**EXTERNAL SPECIFICATIONS**

**Iveco/Fuso/Isuzu: tonne GVM & 4 – 4.7 tonne tare weight without – with options**

**Towing Capacity** for Expedition 360 & 440 Earthcruiser's is 3.5 tonne (GCM - Gross Combined Mass)

**Earthcruiser 17" Rims:**  
 Iveco Rim offset – 55mm  
 Iveco PCD - 170mm  
 Iveco Stud hole - **26mm**

**Earthcruiser 17" Rims:**  
 Fuso Rim offset – 84mm  
 Fuso PCD - 222.25mm  
 Fuso Stud hole - **32.5mm**

**Earthcruiser 17" Rims:**  
 Isuzu Rim offset – 55mm  
 Isuzu PCD - 222.25mm  
 Isuzu Stud hole - **32.5mm**

**Earthcruiser 17" Tyres:**  
 W - 343mm  
 D - 940mm  
 Weight - 30kgs  
 Max Load - 1950kgs

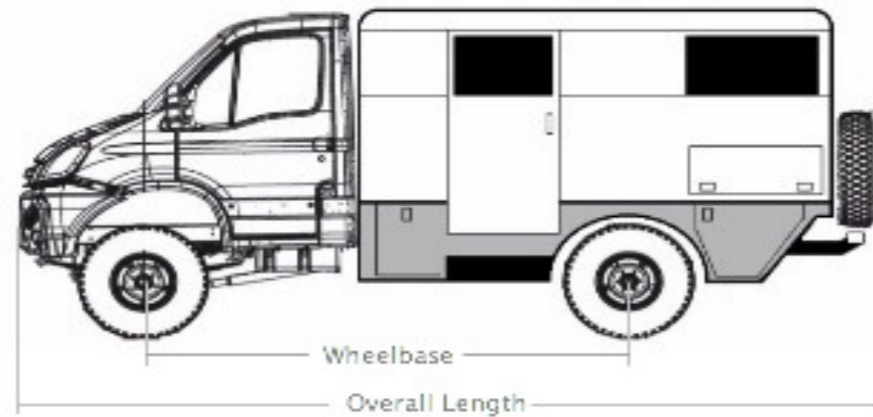
GENERAL SPECIFICATIONS	IVECO SINGLE CAB 320	IVECO SINGLE CAB 360	IVECO SINGLE CAB 440	IVECO DUAL CAB 320	IVECO DUAL CAB 360	FUSO/ISUZU SINGLE CAB 320	FUSO/ISUZU SINGLE CAB 360	FUSO/ISUZU SINGLE CAB 440	FUSO/ISUZU DUAL CAB 320	FUSO/ISUZU DUAL CAB 360
<b>Wheelbase</b>	3410mm	3815mm	4165mm	3815mm	4165mm		2860mm	3415mm	3415mm	3415mm

	<b>Overall Length</b>	6370mm	6780mm	7570mm	6780mm	7570mm		5900mm	6750mm	6800mm	7200mm
	<b>Overall Height</b>	2650mm	2650mm	2650mm	2650mm	2650mm	2600mm	2600mm	2600mm	2600mm	2600mm
	<i>**is from base to the scrub bar excluding the aerial**</i>										
	<b>Interior Floor to Roof Down</b>	1495mm	1495mm	1495mm	1495mm	1495mm					
	<b>Interior Floor to Roof Up</b>	2080mm	2080mm	2080mm	2080mm	2080mm	1930mm	1930mm	1930mm	1930mm	1930mm

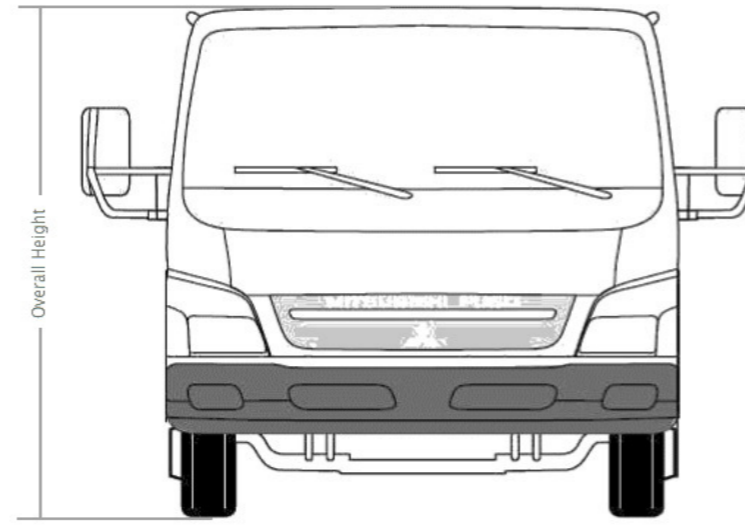
IVECO



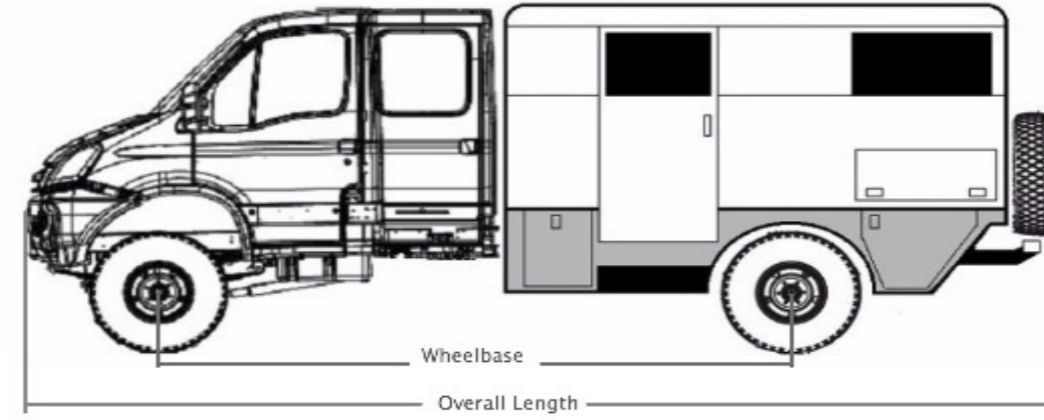
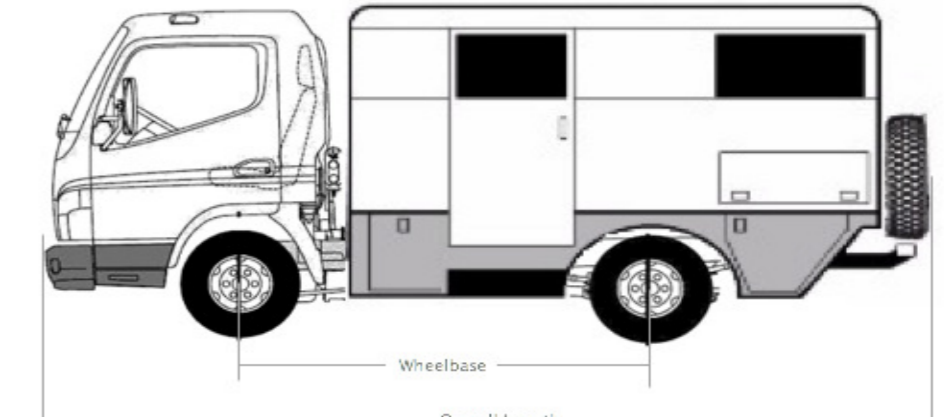
Single Cab



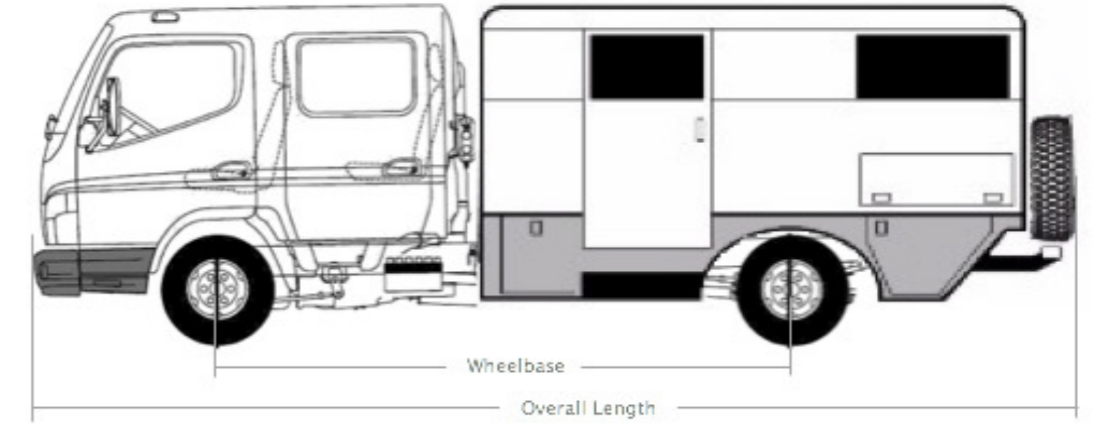
FUSO/ISUZU



Single Cab



Dual Cab



\*All measurements are approximate